

NX APPLICATION NOTE

Shift Number Variable

Overview

This application note explains how to create a variable that contains a number corresponding to the shift. The value of the variable will be set to 01 for first shift, 02 for second shift and 03 for third shift.

For this example, the shift start times are:

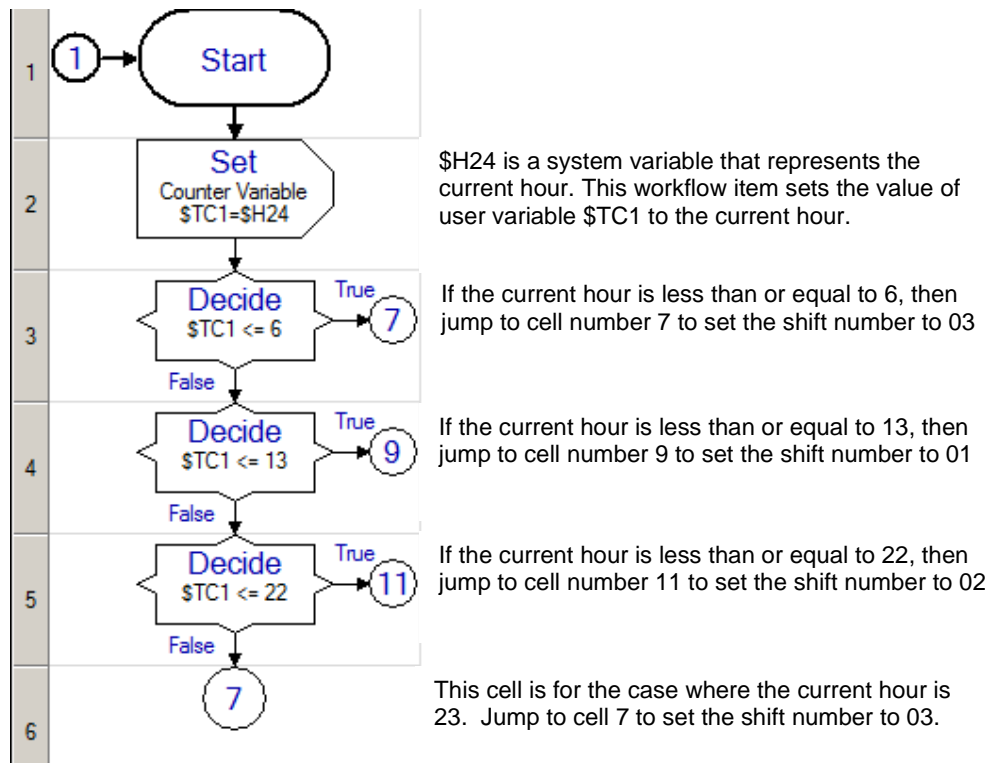
SHIFT	START TIME
1	07:00
2	14:00
3	23:00

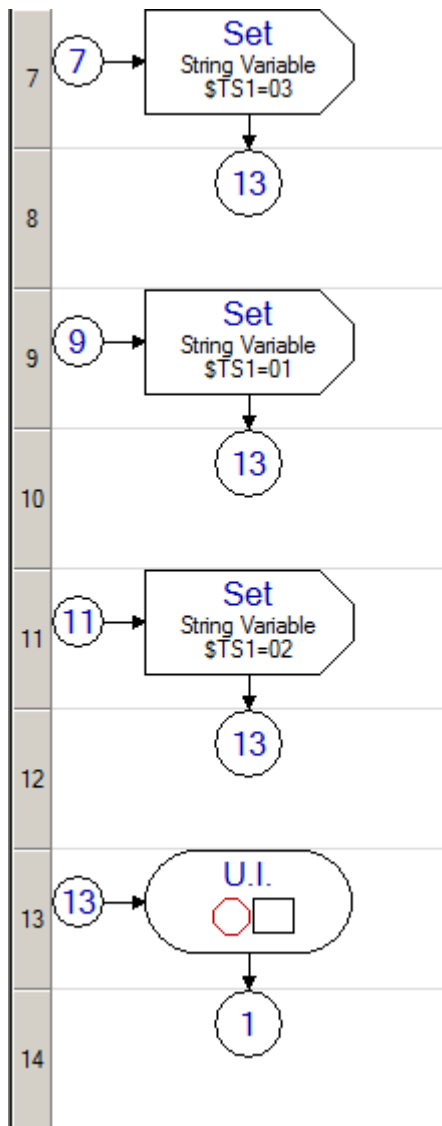
Shifts do not overlap

This example will use \$TS1 as the string variable containing the shift number.

Workflow

The following is the workflow for this example.





Sets the shift variable \$TS1 to 03

Jump to cell 13

Sets the shift variable \$TS1 to 01

Jump to cell 13

Sets the shift variable \$TS1 to 02

Jump to cell 13

Displays the value of \$TS1 and the current time.

Press Green Button to continue

