

NX Testers

NX Testers Feature Summary and Specifications



NX Solo
64 - 256 test points



NX Pro
128 - 512 test points



NX Pro+
128 - 32,768 test points

Connections	Continuity: 1 Ω - 100 Ω ($\pm 1 \Omega$), 100 Ω - 500 K Ω (± 1 ohm, $\pm 1\%$), 500 K Ω - 2 M Ω ($\pm 5\%$) Shorts: 1K Ω - 2 M Ω ($\pm 20\%$)
Components	Diodes: Checks for proper orientation Resistors: 1 Ω - 100 Ω ($\pm 1 \Omega$), 100 Ω - 500 K Ω (± 1 ohm, $\pm 1\%$), 500 K Ω - 2 M Ω ($\pm 5\%$) Capacitors: 100pF to 500uF ($\pm 5\%$ to 20% based on capacitor type, ± 10 pF)
4-wire mode	.005 Ω - 100 Ω ($\pm .005 \Omega$, $\pm 1\%$)
Relay Testing	Capable of active relay testing
Test Voltage	14 VDC maximum (Automatically selected by the NX Tester)
Test Current	5mA DC (Automatically selected by the NX Tester)
Test Speed	1 seconds per 1024 test points (continuity only) 3 seconds per 1024 test points (continuity and shorts)
Display	Easy to read 4-line x 20 character display
Audible Tones	Variety of user programmable tones for error notification and special events
Program Storage	1.3MB with no file quantity limitation
Control Port	24 control port capability (additional hardware required)
Serial Ports	Two RS-232 ports (optional two additional RS-232 ports)
Test Point Interface	64 pin card edge connector
Input Power	100 - 240VAC, 50-60Hz external power supply (30W) Power supply provides 15VDC to the NX Tester
Test Point Capacity	NX Solo: 64 - 256 test points NX Pro: 128 - 512 test points NX Pro+: 128 - 32768 test points
Size (W x D x H)	NX Solo: 10.7" x 7.5" x 2.8" (27.2 cm x 19.0 cm x 7.1 cm) NX Pro: 10.7" x 7.5" x 3.8" (27.2 cm x 19.0 cm x 9.7 cm) NX Expansion Unit: 9.5" x 6.4" x 6.3" (24.2 cm x 16.3 cm x 16.0 cm)
Weight	NX Solo 5.1 lbs (2.3 Kg) NX Pro: 6.6 lbs (3 Kg) NX Expansion Unit: 8.0 lbs (3.6 Kg)
Operating Temperature	40 - 100 degrees F (4 - 38 degrees Celsius)
Warranty	One year parts and labor

Dynalab
TEST SYSTEMS

555 Lancaster Avenue
Reynoldsburg, OH
43068, USA

614-729-6550

www.DynalabTesters.com

© Copyright, 2008, Dynalab, Inc. All rights reserved.
All features/functions mentioned within are subject to change. This document is for informational purposes only. Dynalab, Inc., makes no warranties, expressed or implied, in this document. Dynalab® and NX® are trademarks of Dynalab, Inc.



Wire Harness Testers

NX Testers are fast, accurate, and easy to use. Dynalab designed NX Testers using the latest available technology to provide a flexible and adaptable product line that meets the changing needs of wire harness manufacturers. For test applications that span the range from simple to complex, Dynalab's NX Testers offer the most features for the least cost.

Dynalab Testers are used by the world's largest automotive and appliance wire harness manufacturers. With over 20 years of industry-leading experience and with more than 20,000 testers sold, Dynalab has firmly established a reputation of excellence in quality, capability and service.

Dynalab
TEST SYSTEMS

Stand-alone operation - no PC required

NX Testers

Networking

- Harness production/testing processes can be monitored remotely from any PC.
- Test Programs can be sent remotely to any NX Tester in the plant.
- Thousands of Test Programs can be accessed directly from any NX Tester.
- Production and Quality data can be stored real time in a database.

Control External Devices

- Activate Fixture Clamps
- Activate valves, relays, solenoids, etc.
- Illuminate LEDs

Read Barcodes

- Select programs automatically.
- Read data from harnesses or work orders.
- Verify correct part number and validate program name.

Print Reports

Track defects or test results, by printing a complete report of every harness tested.

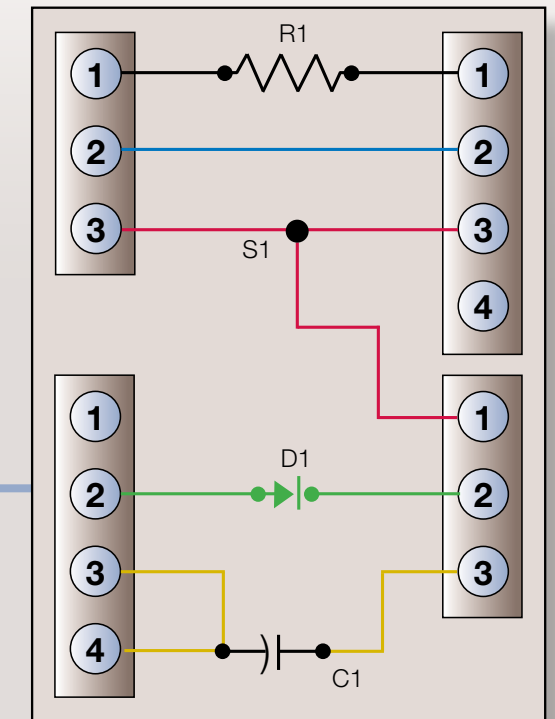
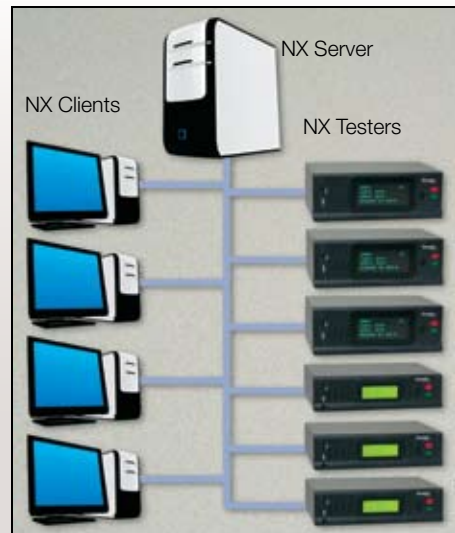
Print Labels

Identify good harnesses by printing real time data such as:

- Part Number and Revision
- Date and Time
- Serial Number
- Operator Name
- And more...

Complete Electrical Test

- Wires - Opens and Shorts
- Diodes - Open, Short, Reverse
- Resistors - 1 ohm to 2 Meg ohms
- Capacitors - 100pF to 500uF
- Relays - Active and Passive
- Fixture Detection Switches



Store and Transfer Programs

Transfers programs between a computer and a tester.



Manage Security

- Restrict access to Tester and Programs.
- Allows only authorized personnel to interrupt a Test.



Troubleshoot Fixtures

Provides assistance identifying test points, during a test or while troubleshooting test fixtures.

